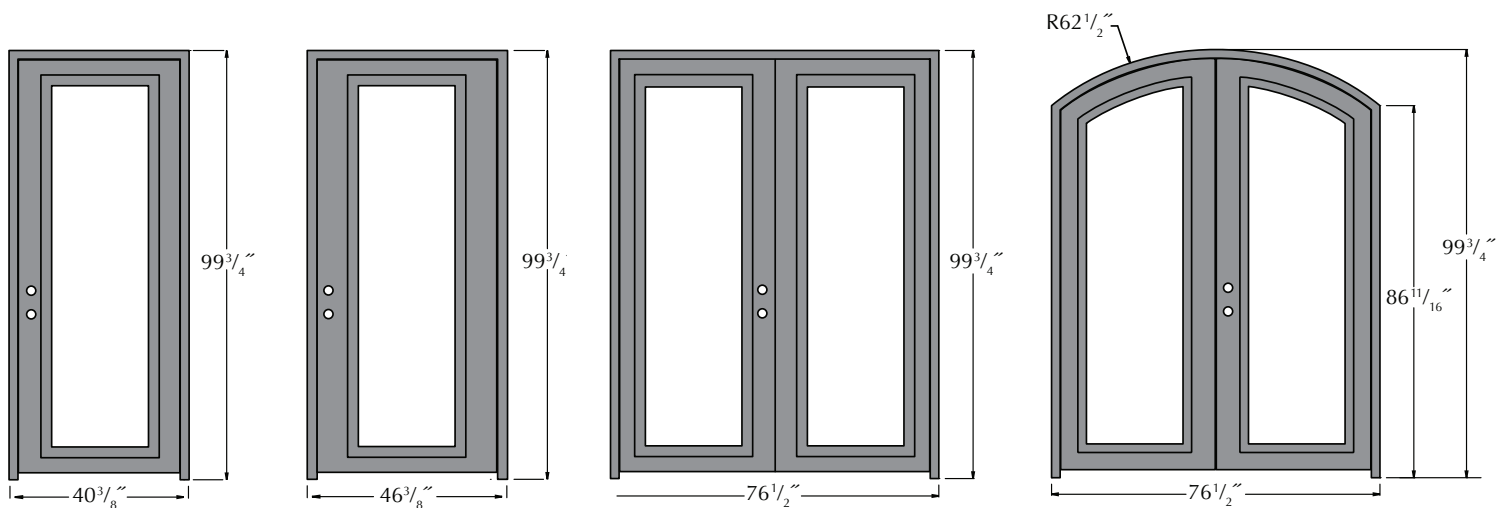


### Unit Dimensions

- Dimensions shown with 2" heavy-duty no twist framing system.
- To calculate the Rough Opening add 2" to the width and 1" to the height of the unit dimensions.

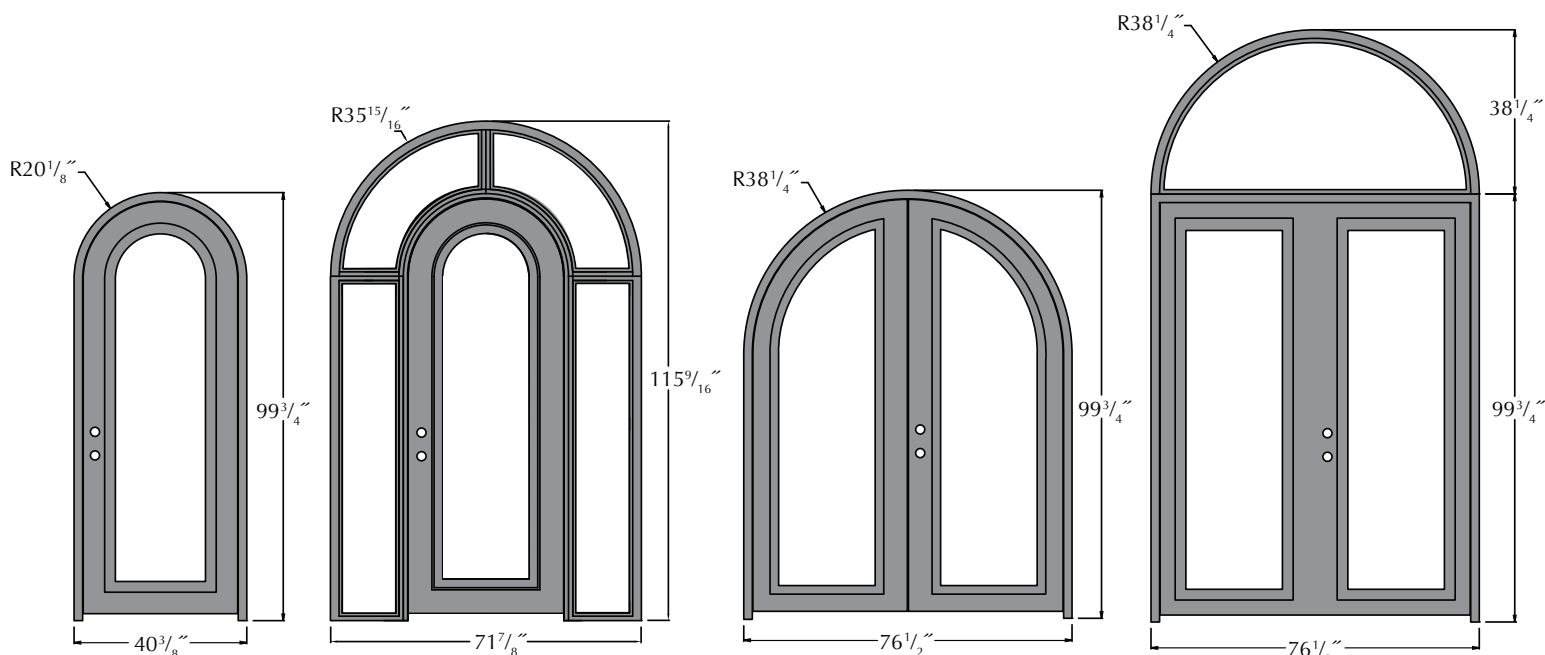


Single Door

Single Door

Double Door

Double Arch Top



Single Round Top

Single Surround Door

Double Round Top

Double with Transom

